

UPort 204/207 Series

4 and 7-port entry-level USB hubs



Features and Benefits

- Hi-Speed USB 2.0 for up to 480 Mbps USB data transmission rates
- USB-IF certification
- 15 kV ESD Level 4 protection for all USB ports
- Comprehensive diagnostic LEDs
- Full 500 mA of power per port
- Chooses bus power or external power (UPort 404)

Certifications



Introduction

The UPort® 204 and UPort® 207 are entry-level USB 2.0 hubs that expand 1 USB port into 4 and 7 USB ports, respectively. The hubs are designed to provide true USB 2.0 Hi-Speed 480 Mbps data transmission through each port, even for heavy-load applications. The UPort® 204 and UPort® 207 have received the USB-IF Hi-Speed certification and are fully plug and play. 500 mA of power per port ensures that your USB devices will function properly, and using 12 to 40 VDC of power makes them ideal for mobile applications. Externally powered USB hubs are the only way to guarantee the broadest compatibility with USB devices.

USB-IF Certification

The UPort® 204/207 USB 2.0 entry-level USB hubs are USB-IF (USB Implementers Forum) certified. The USB-IF certification confirms compatibility with a number of electrical requirements for the Hi-Speed USB operation of USB hubs designed in accordance with the USB 2.0 specifications. This means that the UPort® 204/207 supports Hi-Speed USB 2.0 for up to 480 Mbps USB transmission, which is compliant with interoperability requirements, has enough power for devices to function, and provides a successful transition back to high-speed operation from the suspended state.

ESD Level 4 Protection

Electrostatic discharge (ESD) could be as severe as having more than 1,000 volts of ESD with a high rise-time (dv/dt) breaking through the junction layer of protective devices. In order to avoid serious damage, our UPort® 204/207 USB hubs provide ESD Level 4 (contact 8 kV, air 15 kV) protection, which increases the quality and value of the user's end product.

Specifications

USB Interface

Speed	12 Mbps, 480 Mbps
USB Connector	USB Type B
USB Standards	USB 1.1/2.0 compliant
No. of USB Ports	UPort 204: 4 UPort 207: 7

Power Parameters

Input Voltage	12 to 40 VDC
Input Current	UPort 204: 1.21 A @ 12 VDC UPort 207: 2.17 A @ 12 VDC

Physical Characteristics

Housing	Polycarbonate (PC)
Dimensions	UPort 204: 70 x 35 x 120 mm (2.76 x 1.38 x 4.72 in) UPort 207: 80 x 35 x 185 mm (3.15 x 1.38 x 4.72 in)
Weight	Packaged UPort 204: 805 g (1.87 lb) UPort 207: 890 g (1.96 lb) Product only: UPort 204: 800 g (1.76 lb) UPort 207: 875 g (1.93 lb)

Environmental Limits

Operating Temperature	0 to 60°C (32 to 140°F)
Storage Temperature (package included)	-20 to 75°C (-4 to 167°F)

Standards and Certifications

EMC	EN 55032/24
EMI	CISPR 32, FCC Part 15B Class A
EMS	IEC 61000-4-2 ESD: Contact: 8 kV; Air: 15 kV IEC 61000-4-3 RS: 80 MHz to 1 GHz: 10 V/m IEC 61000-4-4 EFT: Power: 2 kV IEC 61000-4-5 Surge: Power: 1 kV IEC 61000-4-6 CS: 150 kHz to 80 MHz: 10 V/m; Signal: 0 V/m IEC 61000-4-8 PFMF
Environmental Testing	IEC 60068-2-1 IEC 60068-2-3
Freefall	IEC 60068-2-34

Declaration

Green Product	RoHS, CRoHS, WEEE
---------------	-------------------

MTBF

Time	UPort 204: 1,577,573 hrs UPort 207: 1,059,201 hrs
Standards	Telcordia (Bellcore), GB

Warranty

Warranty Period	5 years
Details	See www.moxa.com/warranty

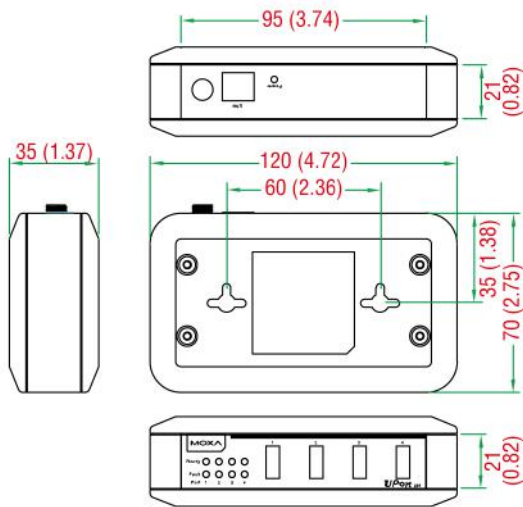
Package Contents

Device	1 x UPort 204/207 Series USB hub
Cable	1 x USB type A male to USB type B male
Power Supply	1 x power adapter, universal
Documentation	1 x quick installation guide 1 x substance disclosure table 1 x warranty card

Dimensions

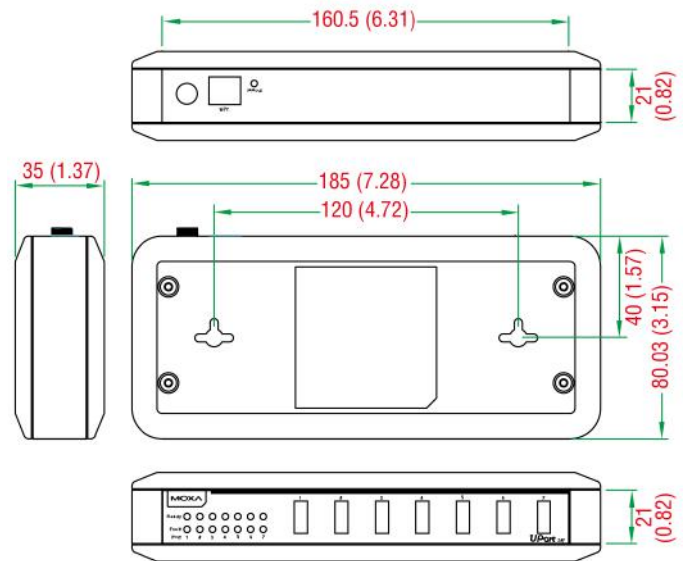
UPort 204

Unit: mm (inch)



UPort 207

Unit: mm (inch)



Ordering Information

Model Name	USB Interface	No. of USB Ports	Housing Material	Operating Temp.	Power Adapter Included
UPort 204	USB 2.0	4	Polycarbonate (PC)	0 to 60°C	✓
UPort 207	USB 2.0	7	Polycarbonate (PC)	0 to 60°C	✓

Accessories (sold separately)

Cables

CBL-USBA/B-100	USB Type A to USB Type B cable, 1 m
----------------	-------------------------------------

Power Adapters

PWR-12300-WPAU-S1	Locking barrel plug, 12 VDC, 3 A, 100-240 VAC, Australia (AU) plug, 0 to 40°C operating temperature
PWR-12300-WPCN-S1	Locking barrel plug, 12 VDC, 3 A, 100-240 VAC, China (CN) plug, 0 to 40°C operating temperature
PWR-12300-WPEU-S1	Locking barrel plug, 12 VDC, 3 A, 100-240 VAC, Continental Europe (EU) plug, 0 to 40°C operating temperature
PWR-12300-WPUK-S1	Locking barrel plug, 12 VDC, 3 A, 100-240 VAC, United Kingdom (UK) plug, 0 to 40°C operating temperature
PWR-12300-WPUSJP-S1	Locking barrel plug, 12 VDC, 3 A, 100-240 VAC, United States/Japan (US/JP) plug, 0 to 40°C operating temperature

© Moxa Inc. All rights reserved. Updated Nov 12, 2018.

This document and any portion thereof may not be reproduced or used in any manner whatsoever without the express written permission of Moxa Inc. Product specifications subject to change without notice. Visit our website for the most up-to-date product information.